



www.luxaflex.co.uk



## Sonnette™ Shades

Suggested Retail Prices (inc.VAT)

March 2024

### Child Safety

All of our products meet with the child safety requirements of the revised publication of EN 13120:2009+A1:2014, Internal blinds – performance requirements including safety.

### Control lengths

As a requirement of EN 13120:2009+A1:2014, the maximum control length is determined by the safety device used on the product as well as the drop of the blind or installation height. The chart below details the maximum length of looped control chain available.



**make it  
safe**

**FOR FURTHER COPIES OF THIS AND ALL OTHER LUXAFLEX® PRICELISTS GO TO THE DEALER PORTAL <http://dealers.luxaflex.co.uk>**  
You can download order forms for all products at <http://dealers.luxaflex.co.uk>



[www.pinterest.com/LuxaflexUK](http://www.pinterest.com/LuxaflexUK)



[www.facebook.com/LuxaflexUK](http://www.facebook.com/LuxaflexUK)



[twitter.com/LuxaflexUK](https://twitter.com/LuxaflexUK)



[youtube.com/LuxaflexUK](https://youtube.com/LuxaflexUK)

**CONTACT DETAILS****Address**

Luxaflex® UK  
Battersea Road  
Heaton Mersey Industrial Estate Stockport, Cheshire  
SK4 3EQ

**Phone numbers**

Front desk: 0161 442 9500

**Fax numbers**

Sale: 0161 432 3200

**Email addresses**

General: [info@luxaflex.co.uk](mailto:info@luxaflex.co.uk)  
Orders: [orders.online@luxaflex.co.uk](mailto:orders.online@luxaflex.co.uk) Marketing: [marketing@luxaflex.co.uk](mailto:marketing@luxaflex.co.uk)  
Training Academy: [training.academy@luxaflex.co.uk](mailto:training.academy@luxaflex.co.uk)

**General Luxaflex website**

[www.luxaflex.co.uk](http://www.luxaflex.co.uk)

**Dealer website**

<http://dealers.luxaflex.co.uk/>

On the dealer portal you can find the most up to date lead time, and product information as well as order forms.

- Luxaflex® digital ordering system "Connect": [www.luxaflexconnect.co.uk](http://www.luxaflexconnect.co.uk)

Please note the following important information:

- All text, images, interfaces, photos of Hunter Douglas products or otherwise, trademarks, logos, sounds, music and artwork ("the Content"), including but not limited to it design, structure and / or selection, of such content displayed on this Website is owned by or licensed to Hunter Douglas and / or its affiliate companies (collectively "Hunter Douglas").
- The content may be used, but exclusively for the promotion of Luxaflex® products. Any other use of the Content of the Websites is strictly prohibited.
- The material and all related rights remain exclusive ownership of (the subsidiary concerned from) Hunter Douglas, unless expressly different agreed.

**HOW TO CALCULATE A PRICE**

- Based on your specific width and height, the prices detailed on pages 15 and 16 indicate the price for a standard product. On this page the standard product is defined.
- If applicable, options or alternative controls can be added. After calculating the price for a standard product, the add-on price for an option and the add-on price for the type of control can be added. The total product price is the combination of the price tables, options and alternative control.

**HOW TO ORDER****Luxaflex® Connect**

- Instant ordering, 24/7-even when the Luxaflex®office is closed
- Final order input onto our system-no queries
- Full insight into your order history
- Luxaflex® Connect will confirm if the blind is possible to manufacture
- Instant pricing including all product surcharges, with discounts show as a value and not a percentage.
- Available on mobile devices
- Full online programme which means no installation of software is required.



# Sonnette™ Shades

## FABRIC COLLECTION

- Available in five fabric collections in 48 trend setting colours, ranging from versatile neutrals to vibrant hues.
- Every style is available in both semi-opaque and room darkening fabrics.

## OPERATING SYSTEMS AND HARDWARE

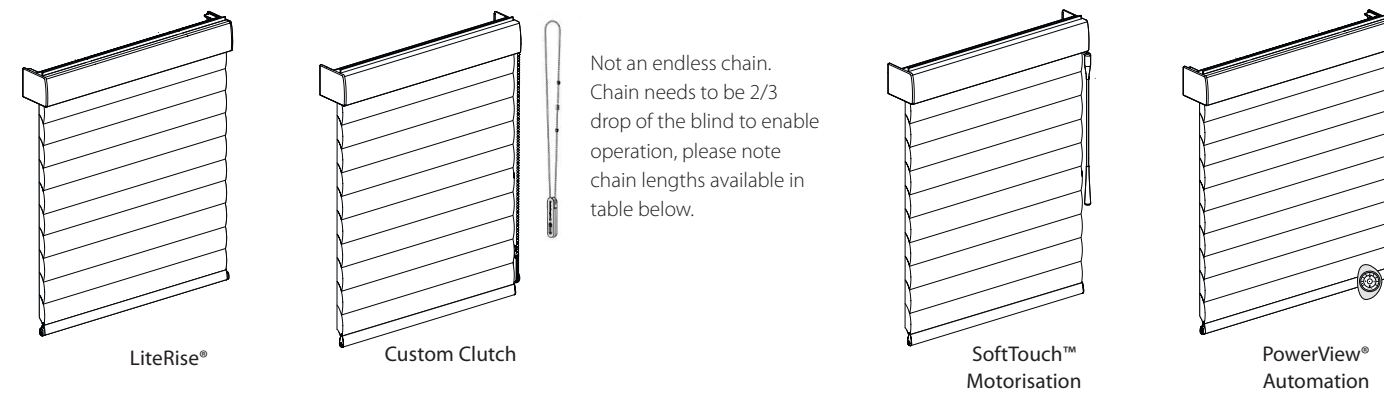
Standard child safe operating systems:

- Custom Clutch is standard (on the right)

Optional child safe operating systems (surcharge applies):

- LiteRise® — cordless operation offers enhanced child and pet safety
- SoftTouch® Motorisation — cordless motorised system operated with a wand
- PowerView® Automation — automated system operated from a Remote control, App/Automated control

All four operating systems come with a colour-coordinated headrail and bottom rail in a refined, matte textured finish.



### Custom Clutch Chain Lengths (inches)

12 18 24 30 36 42 48 54 60 66 72 78 84 90 96 102 108 114 120 126 132 138 144 156 168 180 192

## OPACITY OPTIONS

- Semi-opaque — diffuses light for a soft glow and moderate privacy from the outside in. Every style is available in both semi-opaque and room darkening fabrics.
- Room darkening — blocks the majority of incoming light and provides additional privacy. Some shadowing or light bleed may be visible in high sunlit areas.



## CELL SIZE AND SHAPE



The cell size on all Sonnette fabrics is 50.8mm (2") from top to bottom (with the exception of the bottom cell which is 10mm shorter than the other cells) The shape of the cell may vary based on the thickness and opacity of the fabric.

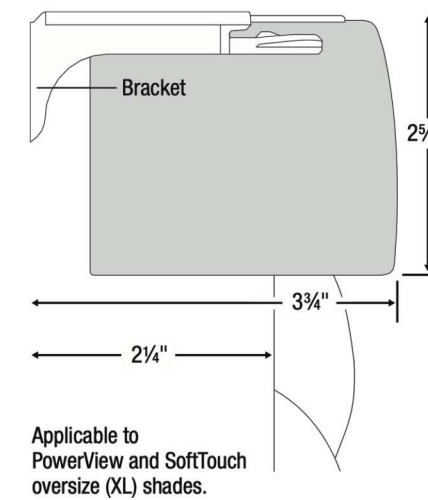
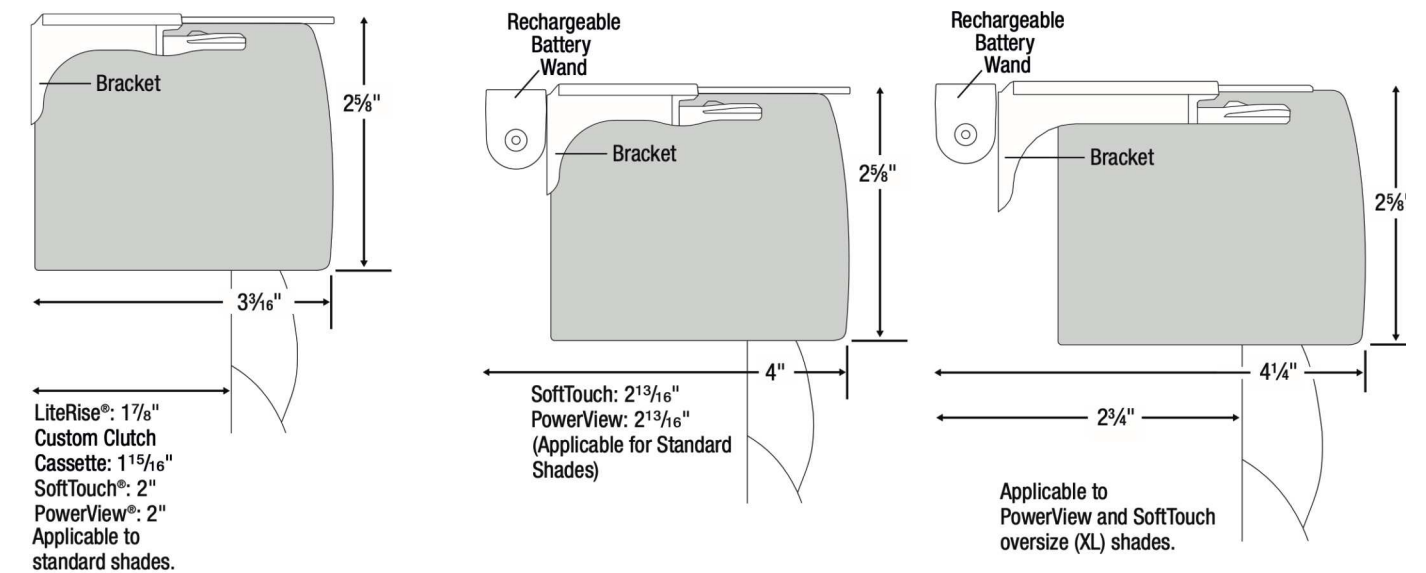
# Sonnette™ Shades

## SONNETTE™ SIZE CHART

All fabrics	Minimum Width	Maximum Width	Minimum Height	Maximum Height
LiteRise®	508mm	2133mm	305mm	2133mm
Custom Clutch	381mm	2438mm	305mm	2438mm
SoftTouch™ Motorisation	381mm	2438mm	305mm	2438mm
PowerView® Automation	381mm	2438mm	305mm	2438mm

*Note: PowerView® and SoftTouch™ shades less than 559mm in width are only available with satellite mount battery pack*

## HEADRAIL DIMENSIONS



Size charges up to 84" however XL Rail can go upto 96"

**XL oversize cassette** - for blinds over 84" (2133mm) W x D



# Sonnette™ Shades